

INSTALLATION INSTRUCTIONS

For Model # 9451(Rev. 10/24/2018)

READ AND SAVE THESE INSTRUCTIONS

WARNING! SHUT POWER OFF AT FUSE OR CIRCUIT BREAKER.

AVERTISSEMENT! COUPER LE COURANT AU NIVEAU DES FUSIBLES OU DU DISJONCTEUR.

HANGING THE FIXTURE (Fig. 1)

1. Carefully remove the fixture from the carton and check that all parts are included as shown in the illustration.
2. Shut off power at the circuit breaker and remove old fixture including the crossbar.
3. Attach the Crossbar(C) to the Outlet box in the ceiling with two screws (D). The side of the Crossbar with "GND" marked on it and two convex points must face out.
4. Determine desired distance from ceiling to hang the fixture, and if necessary, cut cord to length plus five inches. Run the Wire Cord (A) through the Cap Nut (G), Canopy (F) and Nipple (E) then feed several inches of the cord end through the middle hole in the Crossbar(C).
5. Install the Strain Relief Bushing (B) by unscrewing the Screw (E) and pushing the cord through the center of both parts until about 5" of cord is exposed. Tighten the screw. (You may need someone to hold the fixture while installing the Strain Relief Bushing.) The fixture can now hang from the Crossbar(C) with a screw.
6. Carefully cut and remove approximately 4" of the outer sheathing from cord end and strip 1/2" of the wire ends bare to expose the copper strands.

CONNECTING THE WIRES (Fig. 2)

7. At this point, connect the electrical wire as shown in figure 2, making sure that all wire connectors are secured. If your outlet has a ground wire (green or bare copper), connect the fixture's Ground Wire to it. Otherwise, connect the fixture Ground Wire directly to the crossbar using the Green Screw provided.
8. Slip the Nipple (E) to the Crossbar(C) and thread part into the hole.
9. Slip the Canopy (F) and Cap Nut (G) up to the ceiling and lock the Canopy (F) in place by threading the Cap Nut onto the Nipple.
10. For installing bulb or replacing bulb at a later date, unscrew the two Screws (H) and remove the bottom Sleeve (I). After installation, replace the Bottom Sleeve (I) and secure with the Screws (H). Install the light bulb (not included) in accordance with the fixture's specifications. **(DO NOT EXCEED THE MAXIMUM WATTAGE RATING!) (NE PAS DEPASSER LA PUISSANCE NOMINALE MAXIMALE!)**

Your installation is now complete. Return power to the junction box and test the fixture.

Fig. 1

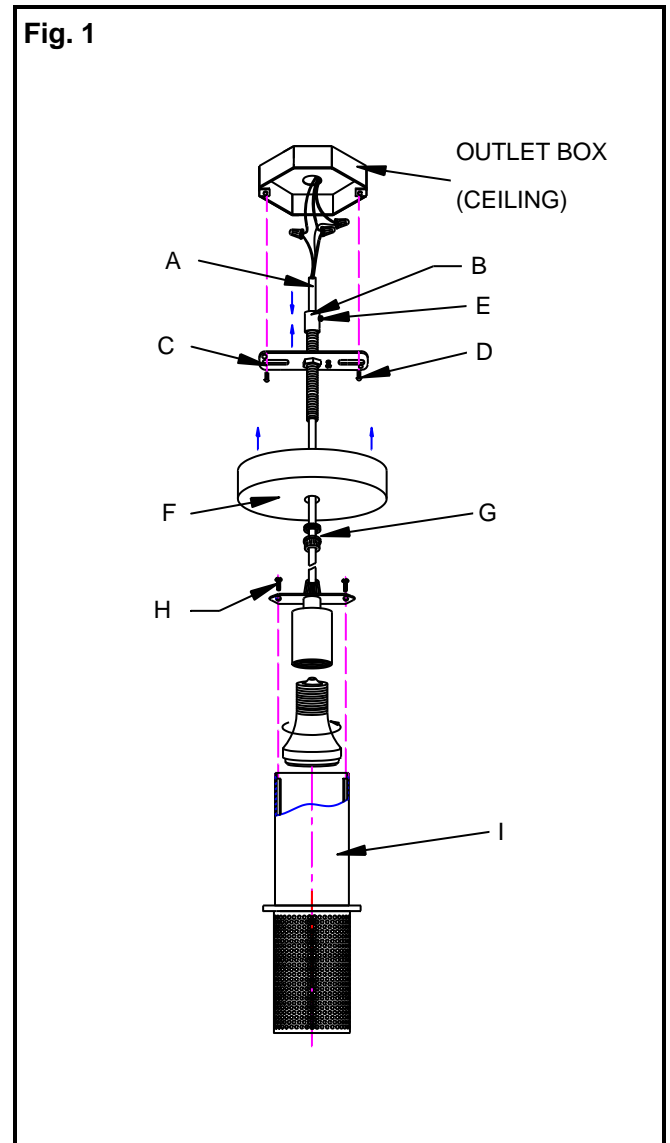
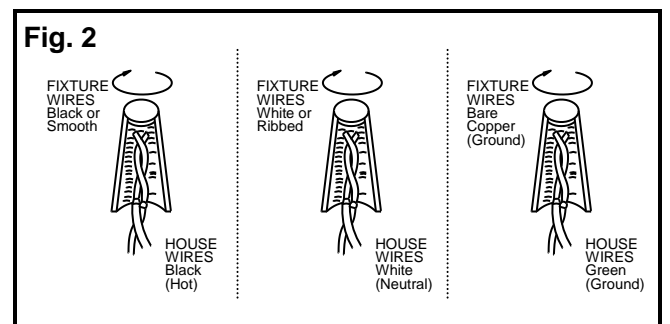


Fig. 2



IMPORTANT: FIXTURE SHOULD BE INSTALLED BY A QUALIFIED ELECTRICIAN TO ENSURE PROPER WIRING AND INSTALLATION.

