

# INSTALLATION INSTRUCTIONS

Item#P952-2-084-L (New. 04/10/2020)

## READ AND SAVE THESE INSTRUCTIONS

**WARNING! SHUT POWER OFF AT FUSE OR CIRCUIT BREAKER.**

**AVERTISSEMENT! COUPER LE COURANT AU NIVEAU DES FUSIBLES OU DU DISJONCTEUR.**

### HANGING THE FIXTURE (Fig. 1)

1. Shut off power at the fuse box or circuit breaker box and remove the old fixture including the mounting hardware.
2. Carefully unpack your new fixture and lay out all the parts in a clean area. Take care not to misplace any small parts necessary for installation.
3. Position the mounting plate (B) on the ceiling and mark the location of the three drywall anchors (A). Pre-drill the holes for the drywall anchors (A). Then insert the drywall anchors (A) into the ceiling.
4. Attach mounting plate (B) to the outlet box using mounting screws (D) (Size: #8-32N\*L0.5") and wood screws (C) into drywall anchors (A). The side of the mounting plate marked "GND" must face out.

### CONNECTING THE WIRES (Fig. 2)

5. Connect the electrical wires as shown in Fig. 2, making sure that all wire connectors are secured. If your outlet box has a ground wire (green or bare copper), connect the fixture's ground wire to it. Otherwise, connect the fixture's ground wire directly to the mounting plate (B) using the green screw provided. After wires are connected, tuck them carefully inside the outlet box.

### COMPLETING THE INSTALLATION (Fig. 1)

6. Attach base (E) to the mounting plate (B) using screws (F).
7. Screw the smaller glass shade (H) to the base (E) and secure with screw (G). Do not over tighten. Then screw the larger glass shade (I) to the base (E).

Your installation is now complete. Return power to the outlet box and test the fixture.

**CAUTION/ATTENTION:** When handling the fixture, do not apply pressure to the LEDs. Hold the fixture by the base (E) only.

### Replacing LED module (Fig.3)

The LED module can be replaced by a qualified electrician without cutting the wires and without damaging the decorative element to which the fixture is attached. See installation steps for more details (Fig.3)

**Warning: Turn off power at the fuse box or circuit breaker before replacing the LED module.**

- a. Shut off the power.
- b. Unscrew the larger glass shade (I) from the base (E).
- c. Loosen the screw (G) and then unscrew the smaller glass shade (H) from the base (E).
- d. Remove screws (F) and base from mounting plate, disconnect the wire connectors, and place the base on a clean surface.
- e. Press the button of the printed "L" quick connector on LED module (J) with screwdriver (not included) to disconnected the black wire and then disconnect the white wire from the printed "N" quick connector on LED module (J).
- f. Remove plastic screws (K). Carefully remove LED module (J).
- g. Reverse steps b-f for installing the new LED module.

**Note: The LED module should be provided by a specified supplier.**

**Your installation is now complete. Return power and test the fixture.**

**Note: Illustration (Fig.1) on this manual is for installation purposes only. It may or may not be identical to the fixture purchased.**

Dimmable with ELV and/or LED compatible wall dimmer switches.

Fig.1

Set#A-021-340

- Mounting Plate
- Ground Screw
- Mounting Screw\*2

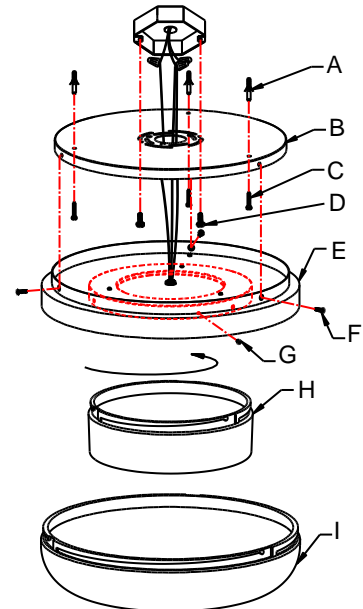


Fig. 2

FIXTURE WIRES  
Black or  
Smooth



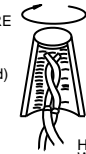
HOUSE WIRES  
Black  
(Hot)

FIXTURE WIRES  
White or  
Ribbed



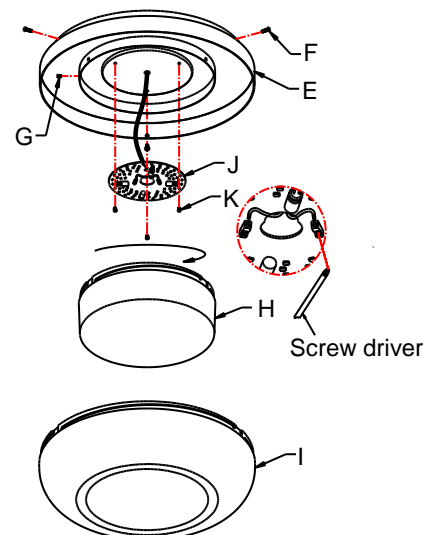
HOUSE WIRES  
White  
(Neutral)

FIXTURE WIRES  
Bare  
Copper  
(Ground)



HOUSE WIRES  
Green  
(Ground)

Fig. 3



**IMPORTANT: FIXTURE SHOULD BE INSTALLED BY A QUALIFIED ELECTRICIAN TO ENSURE PROPER WIRING AND INSTALLATION.**

LA-3132E



american  
lighting  
association