

INSTALLATION INSTRUCTIONS

Item#P953-1-248-L (NEW: 2020/02/29)

READ AND SAVE THESE INSTRUCTIONS

WARNING! SHUT POWER OFF AT FUSE OR CIRCUIT BREAKER.

AVERTISSEMENT! COUPER LE COURANT AU NIVEAU DES FUSIBLES OU DU DISJONCTEUR.

PREPARATION (Fig.1)

1. Shut off power at the fuse box or circuit breaker box and remove the old fixture including the mounting hardware.
2. Carefully unpack your new fixture and lay out all the parts in a clean area. Take care not to misplace any small parts necessary for installation.
3. Screw the glass shade (H) into the fixture body (D) in the clockwise direction and secure with the screw (I). Do not over tighten.
4. Remove screws (C) and mounting plate (A) from base (D).
5. Position the mounting plate (A) on the ceiling, and mark location of the two mounting holes. Drill the holes on the ceiling and insert the plastic anchors (E).
6. Attach the mounting plate (A) to the junction box using mounting screws (B) (Size: #8-32N*L0.5"). The side of the mounting plate marked "GND" must face out.
7. Secure mounting plate (A) by inserting wood screws (F) through the holes on the mounting plate into the plastic anchors (E).

CONNECTING THE WIRES (Fig.2)

8. Connect the electrical wires as shown in Fig. 2, making sure that all wire connectors are secured. If your outlet has a ground wire (green or bare copper), connect the fixtures ground wire to it. Otherwise, connect the fixture ground wire directly to the mounting plate (A) using the green screw provided. After wires are connected, tuck them carefully inside the junction box.

FINISHING THE INSTALLATION (FIG.1)

9. Secure base (D) to the mounting plate (A) using screws (C).

Replacing LED module (Fig. 3)

The LED module can be replaced by a qualified electrician without cutting of wire and without damage to any decorative element to which the fixture is attached. See installation steps for more details (Fig 3.)

- a. Shut off the power.
 - b. Remove screws (C) and base from mounting plate (A). Disconnect wire connectors and place base on a clean surface.
 - c. Loosen the screw (I). Unscrew glass shade (H) to remove.
 - d. Press the button of the printed "L" quick connector on LED module (J) with screwdriver (not included) to disconnected the black wire, and then disconnect the white wire from the printed "N" quick connector on LED module (J).
 - e. Remove screws (K). Carefully remove the LED module (J).
 - f. Reverse steps b-e for installing the new LED module.
- For better heat dissipation, the LED module (J) should be applied with thermal grease when re-lamping.

Your installation is now complete. Return power and test the fixture.

Note: Illustration (Fig.1) on this manual is for installation purposes only. It may or may not be identical to the fixture purchased.

Dimmable with LED compatible wall dimmer switches.

IMPORTANT: FIXTURE SHOULD BE INSTALLED BY A QUALIFIED ELECTRICIAN TO ENSURE PROPER WIRING AND INSTALLATION.

Fig. 1

Set# A-020-206
-Mounting Plate
-Ground Screw
-Mounting Screw*2

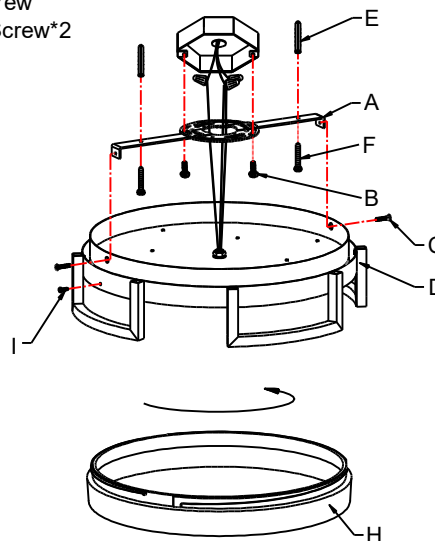


Fig. 2

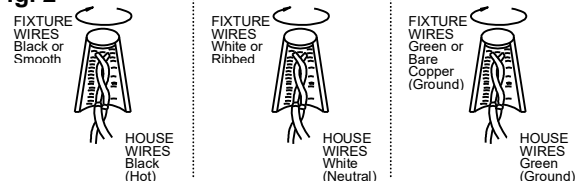
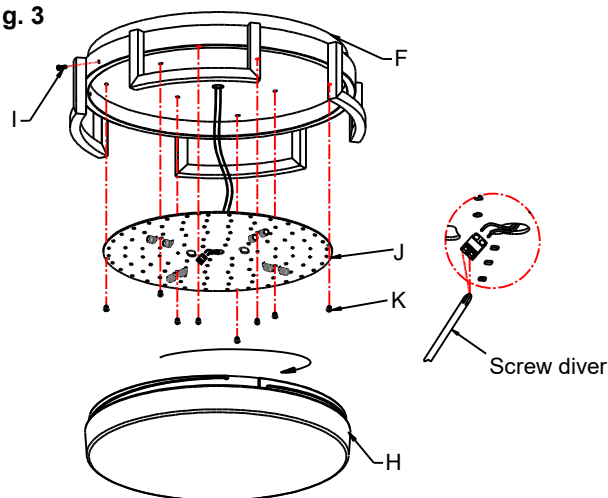


Fig. 3



LA-3156E



american lighting