

INSTALLATION INSTRUCTIONS FOR P980-077-L

For LED Ceiling Mount Fixture

WARNING! SHUT POWER OFF AT FUSE OR CIRCUIT BREAKER.

AVERTISSEMENT ! COUPER LE COURANT AU NIVEAU DES FUSIBLES OU DODISJONCTEUR.

PREPARATION

1. Shut off power at the circuit breaker and remove the old fixture, including the mounting hardware.
2. Carefully remove the fixture from the carton and check that all parts are included as shown in the illustration.
3. Position mounting plate (C) on the ceiling, and mark the location of the two drywall anchors (A). Pre-drill the holes for the drywall anchors (A). Insert the drywall anchors (A) into the ceiling.
4. Attach the mounting plate (C) to the junction box using the two mounting screws (D) (Size: 8-32*1/2"L) and wood screws (E). The side of the mounting plate marked "GND" must face out.

CONNECTING THE WIRES

5. Connect the electrical wires as shown in Fig.2, making sure that all wire nuts are secured. If your outlet has a ground wire (green or bare copper), connect the fixture's ground wire to it. Otherwise, connect the fixture's ground wire directly to the mounting plate (C) using the green screw provided. Tuck the wire connections neatly into the junction box.

FINISHING THE INSTALLATION (FIG. 1)

6. Align fixture (G) to mounting plate (C) and secure with screws (B).
7. Hang the crystal strands (H) through the loops on fixture (G). (Note: A total of 76pcs crystal strands are included).
8. Align cage (J) to fixture (G), make sure the screws (I) on cage (J) protrude through the holes on fixture (G) and then secure with finials (F).

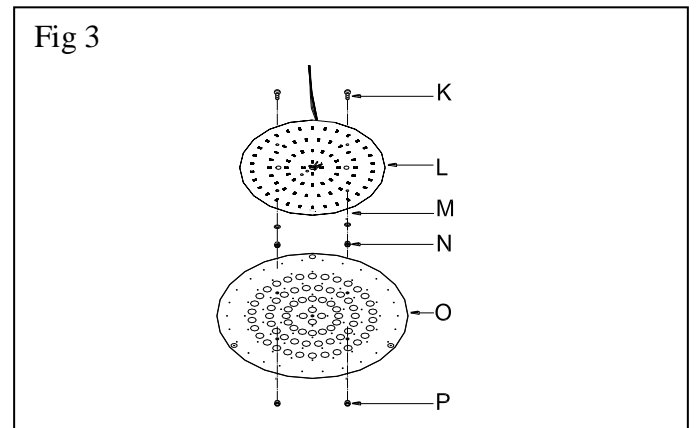
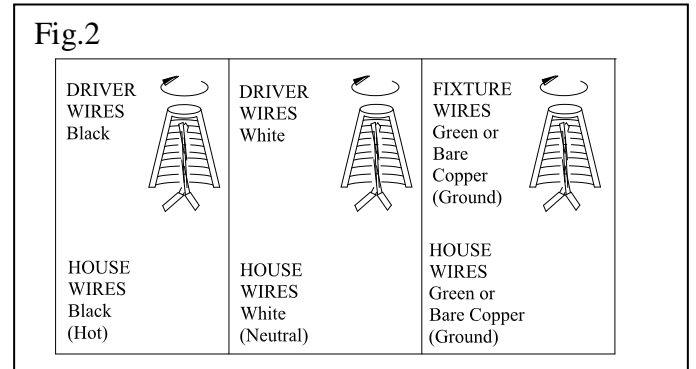
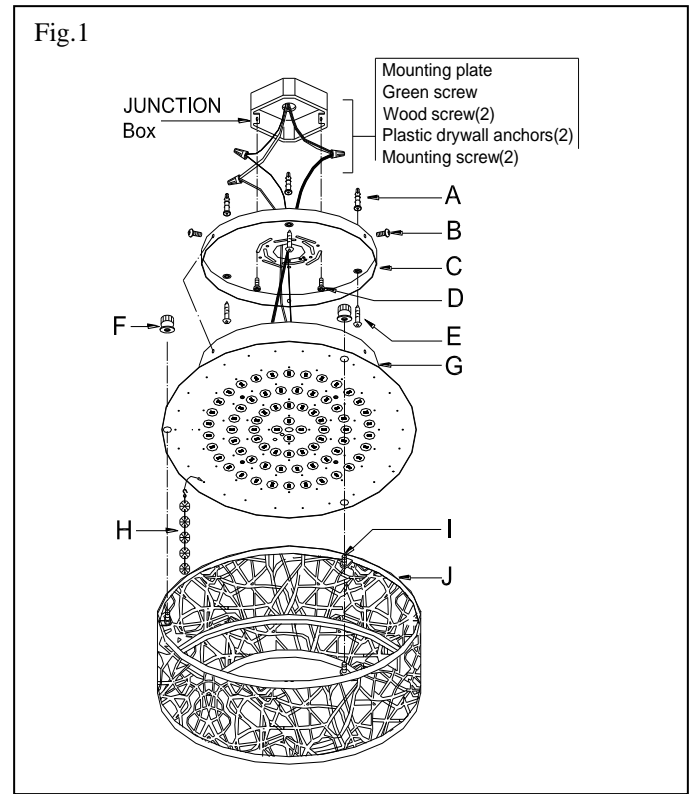
CAUTION /ATTENTION: When handling the fixture, do not apply pressure to the LEDs. Hold the fixture by the base or ceiling plate (G) only.

Replacing LED module (Fig. 3)

The LED module can be replaced by a qualified electrician without cutting of wire and without damage to any decorative element to which the fixture is attached. See installation steps for more details (Fig 3.).

Warning: Turn off power at the circuit breaker before replacing LED module or LED driver.

- a. Loosen the finials (F) to remove cage (J) from fixture (G). And then remove all crystal strands (H).
- b. Loosen screw (K) and hex nuts (P) to remove metal panel (O).
- c. Loosen hex nuts (N) and plastic gaskets (M) to remove LED module (L) carefully.
- d. Reverse steps a-c for installing the new LED module.
- e. Note: The LED module should be provided by a specified supplier.
- f. For better heat dissipation the LED module should be applied with thermal grease when re-lamping.



Brand: Lutron			
Ordering Information <input checked="" type="checkbox"/> Boxed <input checked="" type="checkbox"/> Clamshell			
Model number	Product name	Control type	Maximum capacity
■ DVCL-153P-	Diva C-L	Single-pole/3-way dimmer-	150 W CFL/LED or 600 W Incandescent/ Halogen 120 V
● DVCL-153PH-			
■ DVSCCL-153P-	Diva C-L Satin Colors		
■ CTCL-153P-	Skylark Contour C-L		
● CTCL-153PH-			
■ AYCL-153P-	Ariadni C-L	Single-pole lamp dimmer	100W CFL/LED or 250W Incandescent/ Halogen 120v
● AYCL153PH-			
● TTCL-100H-	Credenza C-L		

IMPORTANT: Fixture should be installed by a qualified electrician to ensure proper wiring and installation. Dimmable with C-L (CFL & LED) type and Incandescent/Halogen type dimmers

