

INSTALLATION INSTRUCTIONS

Item#P1705-613/647 (New. 03/01/2012)

READ AND SAVE THESE INSTRUCTIONS

WARNING! SHUT POWER OFF AT FUSE OR CIRCUIT BREAKER.

AVERTISSEMENT! COUPER LE COURANT AU NIVEAU DES FUSIBLES OU DU DISJONCTEUR.

MOUNTING THE FIXTURE (Fig. 1)

1. Shut off the power at the circuit breaker and remove the old fixture, including the mounting hardware.
2. Carefully unpack your new fixture and lay out all the parts on a clear area. Take care not to lose any small parts necessary for installation.
3. Attach the circular strap (A) to the junction box using mounting Screw (B) (Size: #8-32N*L0.5"). The side of the circular strap marked "GND" must face out.
4. Secure studs (C) into the screw hole of the circular strap (A) evenly spaced apart to match the holes in the fixture body (M).

CONNECTING THE WIRES (Fig. 2)

5. At this point, connect the electrical wire as shown in Fig. 2, making sure that all wire connectors are secured. If your outlet has a ground wire (green or bare copper), connect the fixture's ground wire to it. Otherwise, connect the fixture ground wire directly to the circular strap using the green screw provided. After wires are connected, tuck them carefully inside the junction box.

FINISHING THE INSTALLATION (Fig. 1)

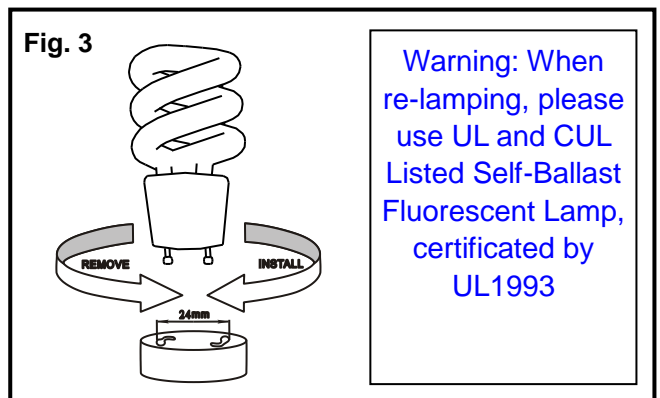
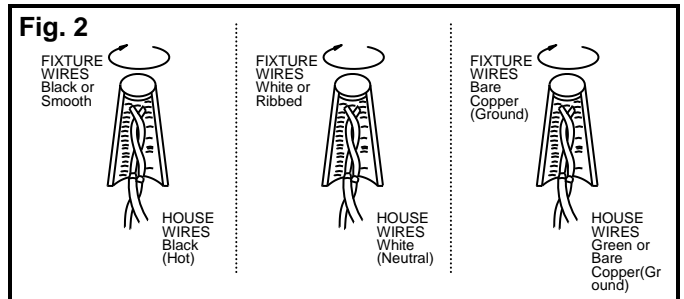
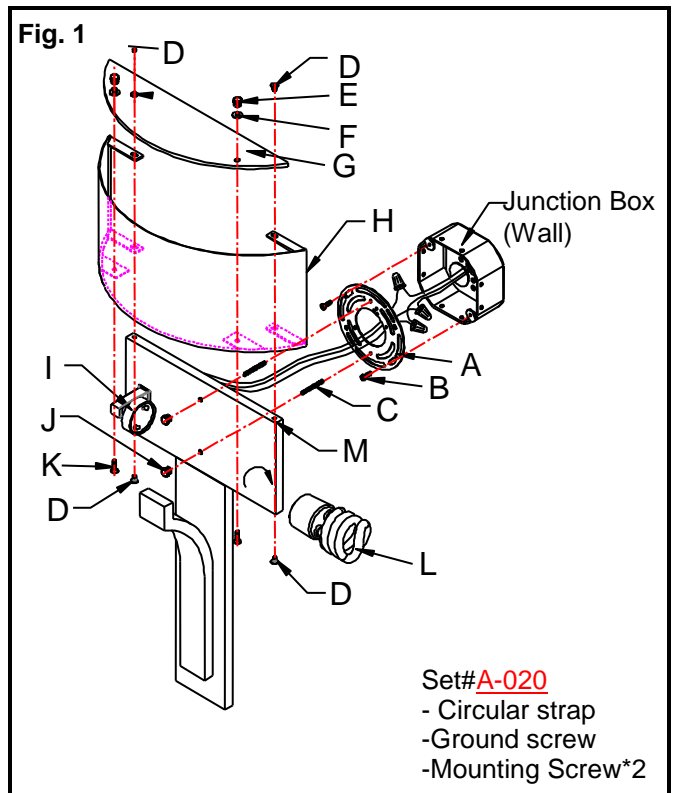
6. Place fixture body (M) over two Studs (C) and secure with cap nuts (J)
7. Install the CFL 1*13W GU24 bulbs (L) (included) into socket in accordance with the fixture's specification. **(DO NOT EXCEED THE SPECIFIED WATTAGE!) (NE PAS DEPASSER LA PUISSANCE NOMINALE MAXIMALE!)**
8. Secure the glass shield (G) to the cloth shade (H) by using Nuts (E), plastic washer (F) and long screws (K) as shown Fig.1. Then attach the cloth shade (H) to the fixture body (M) and secure with short screws (D).
9. The ballast in each of these models can be replaced by a qualified electrician without cutting of wires and without damage to the housing, trim, decorative elements or carpentry to which the fixture is attached. The ballast and lamp are combined, to replace or install, twist pins into socket as shown Fig 3.

Your installation is now complete. Return power and test the fixture.

Note: Illustration (Fig.1) on this manual is for installation purposes only. It may or may not be identical to the fixture purchased.

The color correlated Temperature (CCT) for replacing the enclosed lamp is (2700K).

Caution: CFLs contain Mercury (Hg) Dispose of according to Local, State and Federal Law. (www.epa.gov/bulbrecycling)



IMPORTANT: FIXTURE SHOULD BE INSTALLED BY A QUALIFIED ELECTRICIAN TO ENSURE PROPER WIRING AND INSTALLATION.

LA-2078E

