



SUNDANCE™

BY
minkaAire®
A Minka Group® Co.

INSTRUCTION MANUAL WARRANTY CERTIFICATE



Minka-Aire® warrants to the original owner that this fan will be free from defects in material and workmanship for one year from the date of purchase, excluding the motor. Minka-Aire® warrants to the original owner that the motor in this fan shall be free from defects in This is a limited warranty. Minka-Aire® only obligation under this limited warranty is to replace or repair, or refund the purchase price, in Minka-Aire® sole discretion without charge to the original owner, of the fan once Minka-Aire® confirms that the fan has a defect covered by this limited warranty.

Call our customer service department at 1-800-307-3267 to obtain the name of the Minka-Aire® authorized dealer closest to your location, or contact us through our web site, www.minkagroup.net and write to: Ask Mr. Minka if you have any questions or require further assistance.

To obtain warranty service, the owner should return the fan along with proof of purchase to a Minka-Aire® authorized dealer. The Minka-Aire® authorized dealer shall then, at its sole discretion: repair the fan, replace the fan, refund the purchase price less the amount directly attributable to the consumer's prior usage of the fan, or if necessary instruct the consumer to contact Minka-Aire® directly for warranty service. Minka-Aire® will be responsible for the cost of any repair, or replacement for any warranty service provided by a Minka-Aire® authorized dealer for product under warranty.

You may also at your preference obtain warranty service by returning the fan directly to Minka-Aire® along with proof of purchase, your name and return address, and a description of the claimed product defect. Pack carefully; damage sustained in return transit to Minka-Aire® will be the original owner's responsibility. Original owner shall be responsible to pay all shipping charges. To obtain warranty service, you may return a fan that proves to be defective during the warranty period to the following address:

Minka-Aire® - Warranty Service, 1151 W. Bradford Court, Corona, CA 92882

This warranty shall not apply to fans which have been damaged in any way, including improper installation, damage as a result of the removal of the fan from the original installation, or damage in shipping. This warranty shall not apply to fans which have been subjected to use for which the fan was not designed. The purchaser of the fan shall be responsible for any cost of removing the old fan, installing a new fan, or any other costs.

This limited warranty is in lieu of all other express warranties. This limited warranty excludes all incidental and consequential damages, and Minka-Aire® shall not under any circumstances be liable for incidental or consequential damages. Some States do not allow the exclusion of or limitation of incidental or consequential damages, so the foregoing limitation or exclusion may not apply to you.

This warranty gives you specific legal rights, and you may also have other rights which vary from State to State. We encourage you to promptly complete and return the enclosed warranty registration card. However, return of the warranty registration card is not a condition of this warranty.

Date Purchased _____ Store Purchased _____ Model No. F571/F572 Serial No. _____

CONTENTS

SAFETY FIRST.....	1	ATTACHING THE FAN BLADES.....	7
PACKAGE CONTENTS.....	2	INSTALLING THE SWITCH CAP.....	8
BEGIN INSTALLATION.....	3	OPERATING YOUR FAN.....	9
HANGING THE FAN.....	4	MAINTENANCE.....	10
ELECTRICAL CONNECTIONS.....	5	TROUBLESHOOTING.....	11
FINISHING THE INSTALLATION.....	6	SPECIFICATIONS.....	12



1151W. Bradford Court, Corona CA 92882 For Customer Assistance Call: 1-800-307-3267



1

SAFETY FIRST

1. Before you begin installing the fan, shut power off at the circuit breaker of the fuse box.
2. Be cautious! Read all instructions and safety information before installing your new fan. Review accompanying assembly diagrams.
3. Make sure that all electrical connections comply with local codes, ordinances, or National Electrical Codes. Hire a qualified electrician or consult a do-it-yourself wiring handbook if you are unfamiliar with installing electrical wiring.
4. Make sure the installation site you choose allows the fan blades to rotate without any obstructions. Allow a minimum clearance of 7 feet from the floor and 18 inches from the tip of the blades to the wall.
5. If you are mounting the fan to a ceiling fan outlet box, use a U.L. Listed metal octagonal outlet box marked Acceptable for Fan Support. Secure the box directly to the building structure. The outlet box and its support must be able to support the moving weight of the fan (at least 50 pounds) Do not use a plastic box.
6. Caution: To reduce the risk of injury use only the screws provided with the outlet box in conjunction with the lock washers provided with the fan.
7. If you are mounting the fan to a joist, make sure it is able to support the moving weight of the fan (at least 50 pounds).
8. After you install the fan, make sure that all mounting components are secured to prevent the fan from falling.
9. Do not insert anything into the fan blades while the fan is operating.
10. Turn the fan off and wait for the blades to stop completely before performing any cleaning or maintenance.

**SUITABLE FOR USE IN
WET LOCATIONS**

NOTE:The important safeguards and instructions appearing in this manual are not meant to cover all possible conditions and situations that may occur. It must be understood that common sense, caution and care are factors which can not be built into this product. These factors must be supplied by the person (s) installing, caring for and operating the unit.

This Fan is suitable for Use In Wet Locations When Installed In A GFCI Protected Branch Circuit.

NOTE: READ AND SAVE ALL INSTRUCTIONS!

WARNING

TO REDUCE THE RISK OF FIRE, ELECTRIC SHOCK OR OTHER PERSONAL INJURY, MOUNT FAN ONLY TO A U.L. LISTED OUTLET BOX OR SUPPORTING SYSTEM MARKED ACCEPTABLE FOR FAN SUPPORT AND USE MOUNTING SCREWS PROVIDED WITH THE OUTLET BOX IN CONJUNCTION WITH THE LOCK WASHERS PROVIDED WITH THE FAN. MOST OUTLET BOXES COMMONLY USED FOR FAN SUPPORT OF LIGHTING FIXTURES ARE NOT ACCEPTABLE FOR FAN SUPPORT AND NEED TO BE REPLACED. CONSULT A QUALIFIED ELECTRICIAN IF IN DOUBT.

TO REDUCE THE RISK OF PERSONAL INJURY, DO NOT BEND THE BLADE HOLDERS WHILE INSTALLING, BALANCING THE BLADES OR CLEANING THE FAN. DO NOT INSERT FOREIGN OBJECTS BETWEEN ROTATING FAN BLADES.

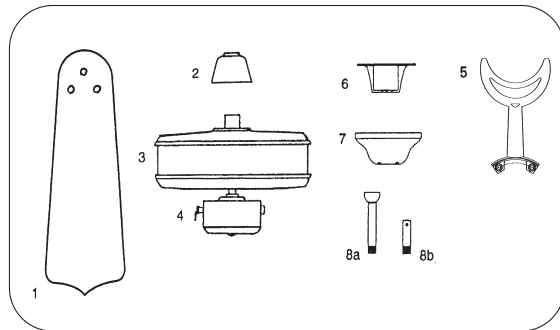
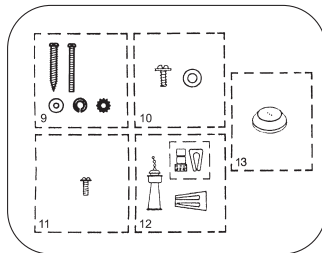
2

PACKAGE CONTENTS

- | | |
|---|---|
| 1. Fan blade | screws (2 pcs) |
| 2. Coupling cover | #10-12X38mm wood screws (2 pcs) |
| 3. Fan motor/housing ass'y | Spring washers (2 pcs) |
| 4. Switch Cup | Star washers (2 pcs) |
| 5. Blade bracket | Flat washers (2 pcs) |
| 6. Mounting bracket with Rubber pad attached | 10. Blade Attachment Hardware:
3/16X9mm screws (16 pcs) |
| 7. Canopy | 5X13mm rubber washers (16 pcs) |
| 8a. Standard downrod ass'y with rubber cap | 11. Bracket Attachment Hardware:
1/4"X11mm screws (11 pcs) |
| 8b. Minimum-length downrod (for close to ceiling mounting only) | 12. Switch Cup Hardware: |
| 9. Mounting Hardware:
#8-32X38mm machine | |

Unpack your fan and check the contents. You should have the following items:

- Pull Chain Fb (1pc.)
Wire Nuts (3 pcs.)
Balancing Kit
13. Rubber Cap (1pc.)



Tools Required: Phillips screw driver; slotted screw driver; pliers; wire cutters; electrical tape.

BEGIN INSTALLATION

MOUNTING OPTIONS

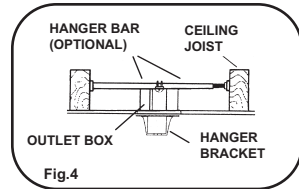
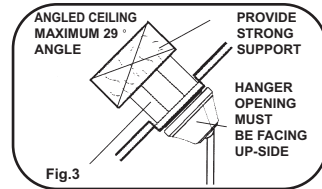
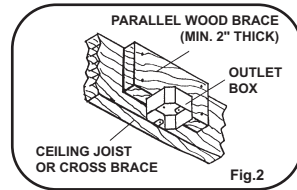
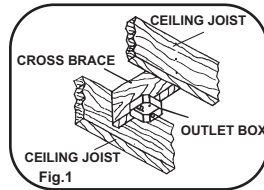
If there isn't an existing outlet box, then read the following instructions. Shut the power off at the circuit breaker or fuse box.

Secure the outlet box directly to the building structure. Use appropriate fasteners and building materials. The outlet box and its support must be able to fully support the moving weight of the fan (at least 50 lbs.). Use a U.L. Listed metal outlet box marked "Acceptable for ceiling fan support". Do not use a plastic outlet box.

Figures 1, 2 and 3 are examples of different ways to mount the outlet box.

Note: You may need a longer downrod to maintain proper blade clearance when installing on a steep, sloped ceiling. Longer downrods are available from your Minka-Aire® dealer.

To hang your fan where there is an existing fixture but no ceiling joist, you may need to install a hanger bar as shown in Fig. 4 (available at your Minka-Aire® dealer).



4

HANGING THE FAN

WARNING: All of the parts, hardware and components such as the hanger bracket and hanger ball have been provided for your safety and the proper installation of your new ceiling fan. The use of other parts, hardware or components not supplied by Minka Aire® with the fan will void the Minka Aire® Warranty.

REMEMBER to shut the power off at the circuit breaker or fuse box.

Step 1. Secure the hanger bracket to the ceiling outlet box using screws provided with the outlet box and flat washers included with the fan. (Fig. 5) Note: Optional wood screws are provided for mounting of hanger bracket directly to building structure.

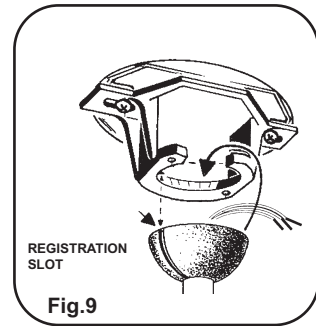
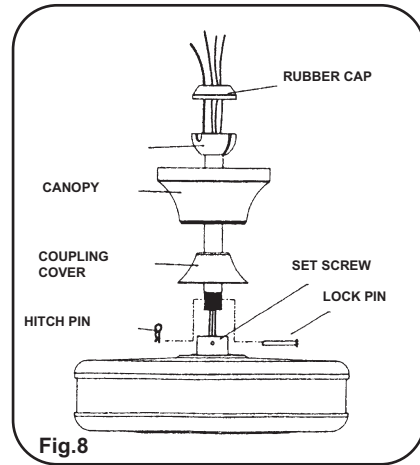
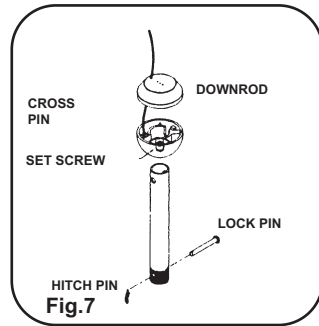
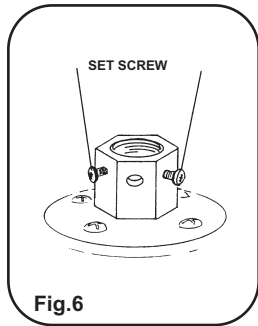
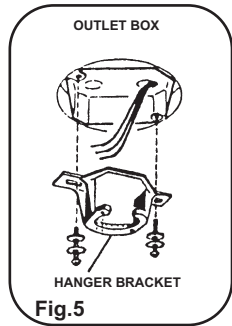
Step 2. Loosen the two set screws in the top coupling of the top housing assembly. (Fig. 6)

Step 3. Remove downrod hanger ball by loosening set screw, removing the cross pin, and sliding ball off rod. Remove the hitch pin and lock pin. (Fig. 7)

Step 4. Carefully feed fan wires up through the downrod and then through the holes in the rubber cap on the top of the downrod. Insert the rod into the coupling and tighten onto fan until the holes are aligned. Next, replace lock pin and hitch pin. Tighten the set screws. (Fig. 8)

Step 5. Slip coupling cover, and canopy onto downrod. Let canopy rest on top of the coupling cover. Carefully reinstall hanger ball onto rod being sure that cross pin is in correct position, set screw on hanger ball is tight and wires are not twisted. (Fig. 8)

Step 6. Now lift motor assembly into position and place downrod ball into hanger bracket. Rotate until the check groove has dropped into the registration slot and seats firmly. Rod should not rotate if this is done correctly. (Fig. 9)



5

ELECTRICAL CONNECTIONS

REMEMBER to shut the power off at the circuit breaker or fuse box.

Follow the steps below to connect the fan to your house supply wires. Use the wire nuts supplied with your fan. Secure the wire nuts by wrapping the connection with electrical tape.

Step 1. Connect the black(hot)wire from the ceiling to the black and the blue wires from the fan. Connect the white(Neutral)wire from the ceiling to the white wire from the fan.(Fig 10)

Step 2. If your outlet has a ground wire(Green or Bare Copper)connect the fan ground wires (on hanger ball and hanger bracket)to it;otherwise, connect the fan ground wire on hanger ball directly to hanger bracket.

Step 3. After the splices are made, spread the wires apart so that the green and white wires are one side of the outlet box and the black wire

(and the blue wire if light kit is installed)are on the other side of the outlet box. Turn splices upward and tuck them carefully into outlet box.

Figure 11 & 12 Illustrate the wiring connections using optional wall unit. (Available at your Minka-Aire® Retailer.)

NOTE: If a light kit is not included with your fan, one can be purchased at your Minka-Aire® Retailer. Use only with light kits marked "Suitable for use in wet location."

FAN CONTROLLED BY PULL CHAIN, LIGHT KIT CONTROLLED BY PULL CHAIN.

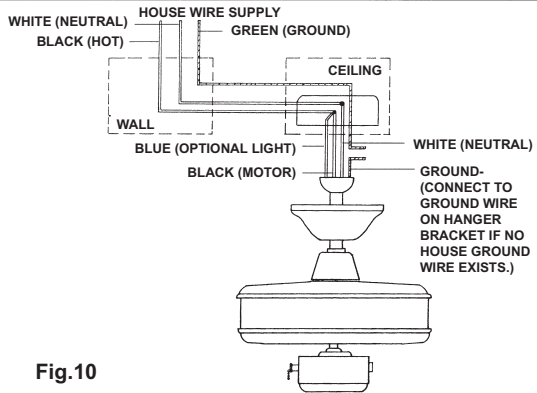
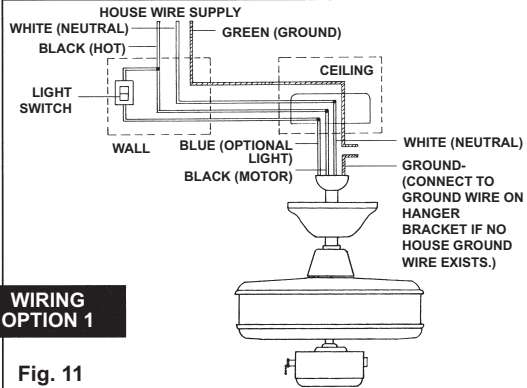
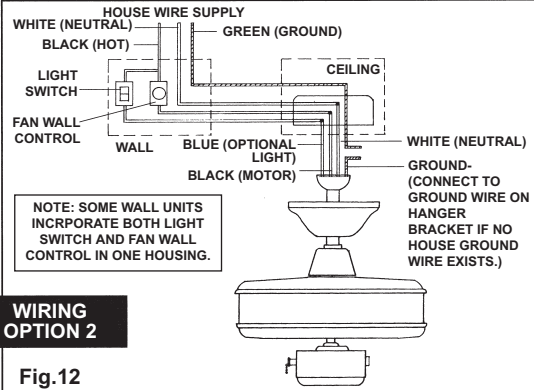


Fig.10

FAN CONTROLLED BY PULL CHAIN, LIGHT KIT CONTROLLED BY WALL SWITCH.

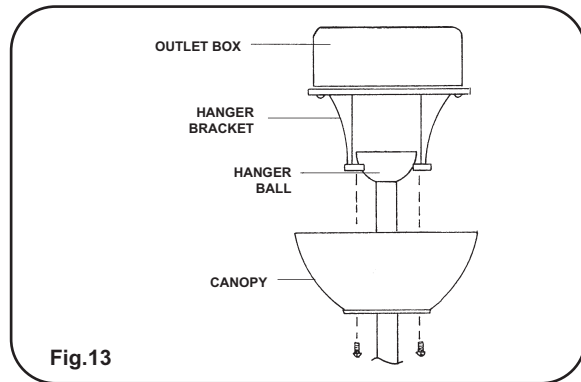


FAN CONTROLLED BY WALL CONTROL, LIGHT KIT CONTROLLED BY LIGHT SWITCH.



FINISHING THE INSTALLATION

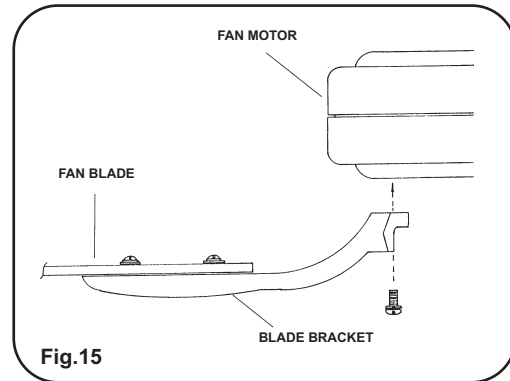
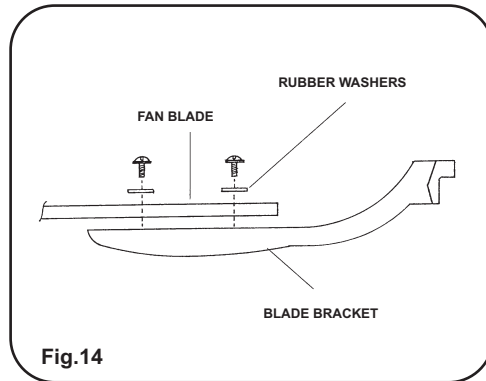
Step 1. Slide canopy up against ceiling. Align key holes in canopy with screws on hanger bracket and rotate canopy clockwise to lock it into place. Secure canopy to hanger bracket by tightening the two screws. (Fig. 13)



ATTACHING THE FAN BLADES

Step 1. Attach the fan blade to the blade bracket using rubber washer and screws provided. Tighten screws securely. Repeat for remaining blades. (Fig. 14)

Step 2. Remove and discard the rubber stops from the motor. Align holes in blade bracket and motor and secure with proper screws. Repeat process with the other blade brackets. (Fig. 15)

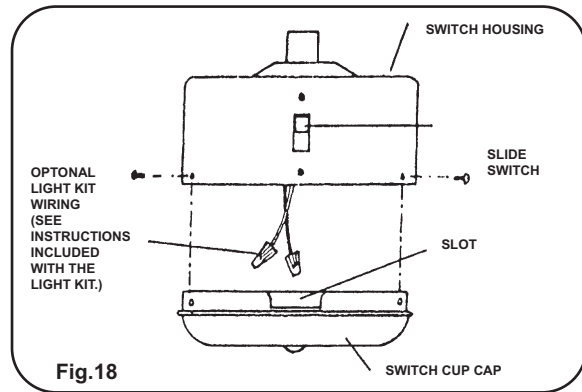


INSTALLING THE SWITCH CAP

Step 1. Remove the screws from the switch housing.

Step 2. Insert the switch cap into the switch housing, align slot from switch cap with the slide switch in the switch housing and push firmly in place.

Step 3. Secure the switch cap to the switch cup using the screws previously removed. (Fig. 16)



OPERATING YOUR FAN

Restore power to ceiling fan and test for proper operation.

Speed settings for warm or cool weather depend on factors such as the room size, ceiling height, number of fans, etc.

The slide switch, on the switch cup, controls the forward or reverse direction of the fan. Down or to the left is for warm weather operation. Up or to the right is for cool weather operation.

NOTE

Wait for fan to stop before changing the setting of the SLIDE SWITCH.

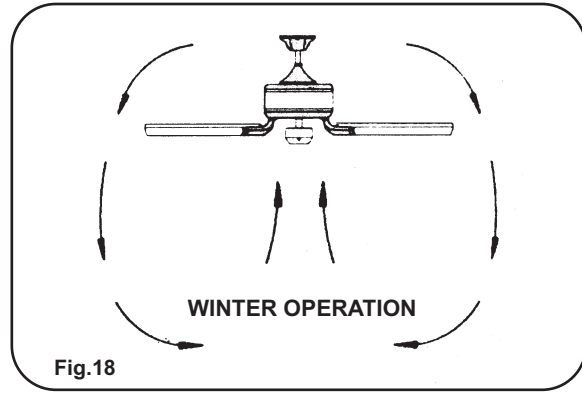
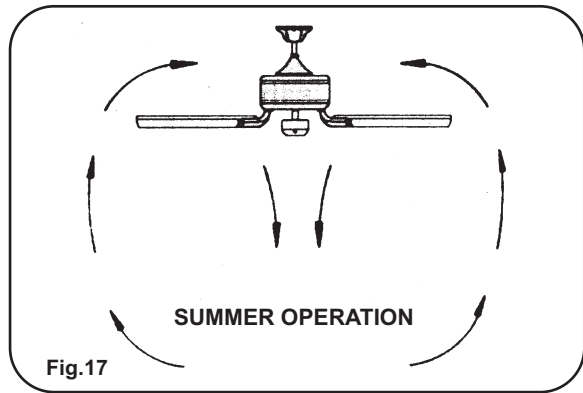
Warm weather- (Forward)

A downward air flow creates a cooling effect as shown in Figure 17. This allows you to set your air conditioner on a warmer setting without affecting your comfort.

Cool weather- (Reverse) An upward airflow moves warm air off the ceiling area as shown in Figure 18. This allows you to set your heating unit on a cooler setting without affecting your comfort.

The pull chain on your fan controls the speed settings as follows:

- 1st pull-High Speed
- 2nd pull-Medium Speed
- 3rd pull-Low Speed
- 4th pull-Turns Fan Off



MAINTENANCE

Here are some suggestions to help you maintain your fan.

1. Because of the fan's natural movement, some connections may become loose. Check the support connections, brackets, and blade attachments twice a year. Make sure they are secure. (It is not necessary to remove fan from ceiling.)
2. Clean your fan periodically to help maintain its new appearance over the years.
3. Use only a soft brush or lint-free cloth to avoid scratching the finish. The plating is sealed with a lacquer to minimize discoloration or tarnishing.
4. There is no need to oil your fan. The motor has permanently lubricated bearings.

WARNING

MAKE SURE THE POWER IS OFF AT THE ELECTRICAL PANEL BOX BEFORE YOU ATTEMPT ANY REPAIRS. REFER TO THE SECTION, "MAKING ELECTRICAL CONNECTIONS".

TROUBLESHOOTING

Problem Solution

Problem
Fan will not start.

Solution

1. Check fuses or circuit breakers.
2. Check line wire connections to fan and switch wire connections in switch housing.

CAUTION: Make sure main power is off.

3. Check to make sure the reverse is set to one side. If the switch is located in the middle it might not make proper contact.

Problem
Fan sounds noisy.

Solution

1. Allow a 24-hour "break-in" period. Most noises associated with a new fan go away during this time.
2. Make sure all motor housing screws are snug.
3. Make sure the screws that attach the fan blade bracket to the motor hub are tight.
4. Some fan motors are sensitive to signals from solid-state variable speed controls. If you have installed this type of control, choose and install another type of control

Problem
Fan Wobble

Solution

1. Make sure your hanger bracket and outlet box are secure.
 2. Use the enclosed blade balancing kit if blade wobble is still excessive. (See instructions included with the balancing kit.)
- NOTE:** All blades sets are grouped by weight. Because plastic injection materials vary in density, the fan may wobble even though blades are weight matched.

SPECIFICATIONS

These are typical readings. Your actual fan may vary. They do not include amps or wattage used by the light kit.

Fan Size	Speed	Volts	AMP	Watts	RPM	CFM	N.W.	G.W.	V
F572	Low	120	0.22	10.3	86	1500			
42"	Med	120	0.33	23.4	144	2700	11.99LBS	14.19LBS	1.28'
	High	120	0.47	55.8	226	4200			

For any additional information about your Minka-Aire® Ceiling Fan, please write to:

Fan Size	Speed	Volts	AMP	Watts	RPM	CFM	N.W.	G.W.	V
F571	Low	120	0.23	11.1	77	2300			
52"	Med	120	0.36	28.2	130	4150	15.84LBS	19.14LBS	1.99'
	High	120	0.49	57.9	189	5800			



1151 W. Bradford Court, Corona, CA 92882 • For customer assistance call: 1-800-307-3267

MKA8062412