



ASSEMBLY INSTRUCTIONS

for Fan Light Kit

Model: K9886L

U.S. Patent(s) Pending

READ AND SAVE THESE INSTRUCTIONS

**BE SURE TO FOLLOW ALL STEPS IN THE ORDER GIVEN.
BE SURE POWER IS OFF AT FUSE, OR CIRCUIT BREAKER BOX.**

Attention: The Energy Policy Act of 2005 requires this light kit to be equipped with a limiting device. If lamping exceeds 75 watts, the ceiling fan's light kit will shut off automatically.

CAUTION: Before starting installation, disconnect the power by turning off the circuit breaker or removing the fuse at the fuse box.

Step 1. Unscrew the light cap (for non light use) as seen in Fig 1.

Step 2. While holding the 20W LED assembly under your fan, firmly snap the wire connection plugs together as seen in Fig 2.

Step 3. Attach the 20W LED assembly to the switch box by twisting tightly as seen in Fig 3.

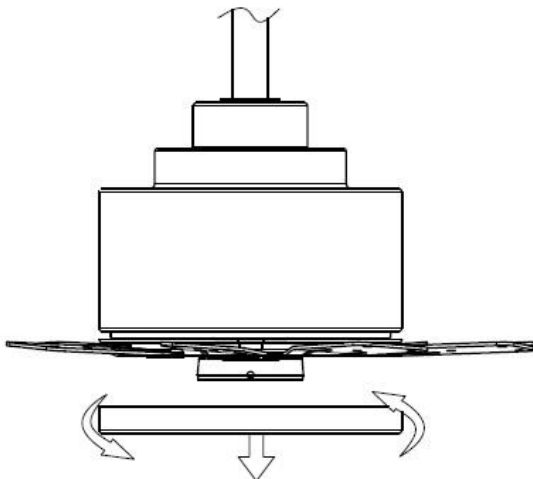


Fig 1

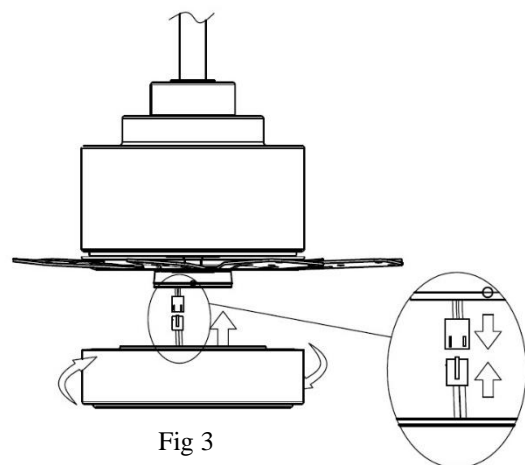


Fig 3

Fig 2

CAUTION: To reduce The Risk Of Fire And Electric Shock, This Light Kit Should Be Used Only With The Fans Models: F886-65. F886-84. F896-65. F896-84

Approximate maximum weight: 1.47 Lbs.

© 2017 Minka Lighting Inc.
Manual design and all elements of manual design are protected by U.S. Federal and/or State Law, including Patent, Trademark and/or Copyright laws.

